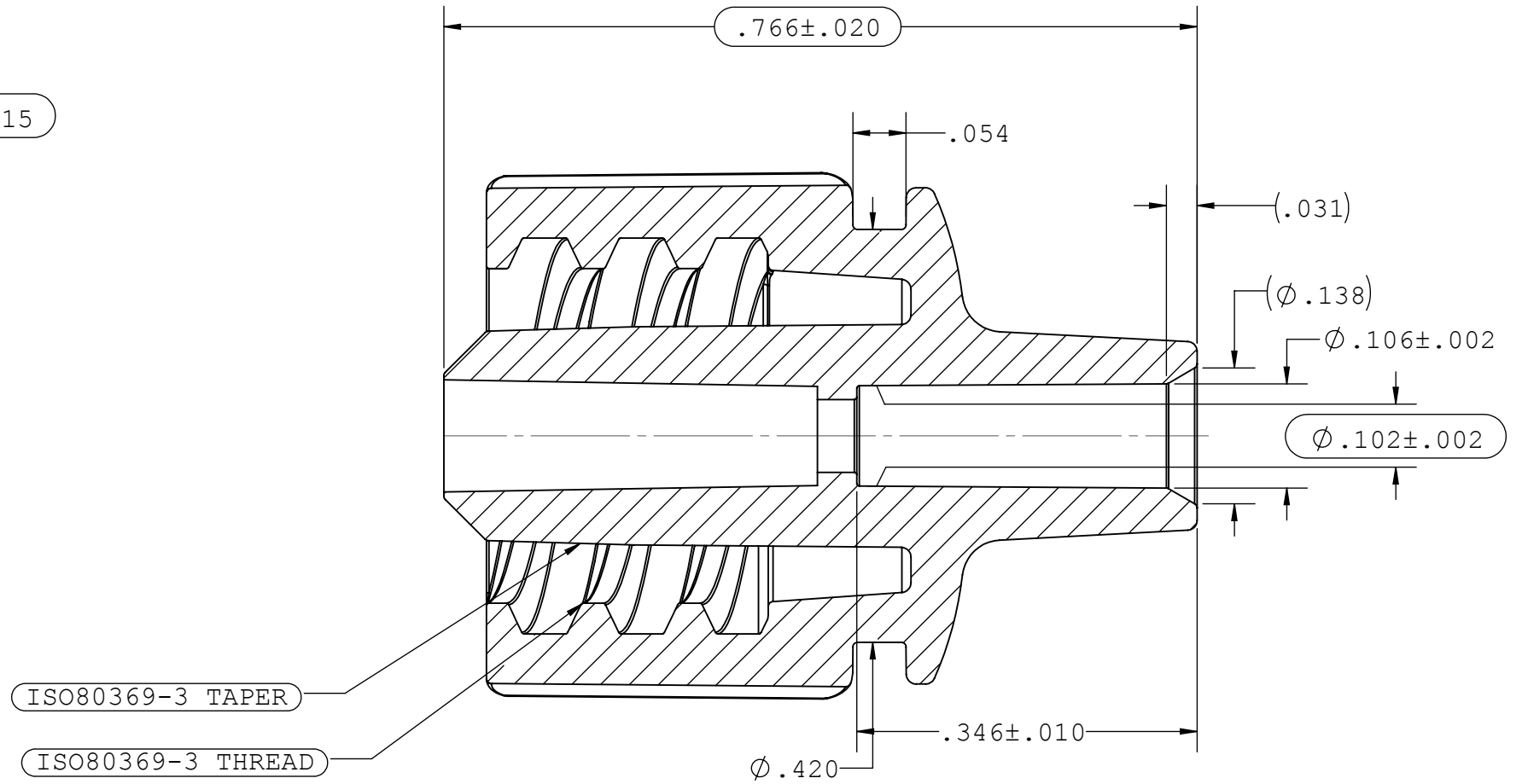
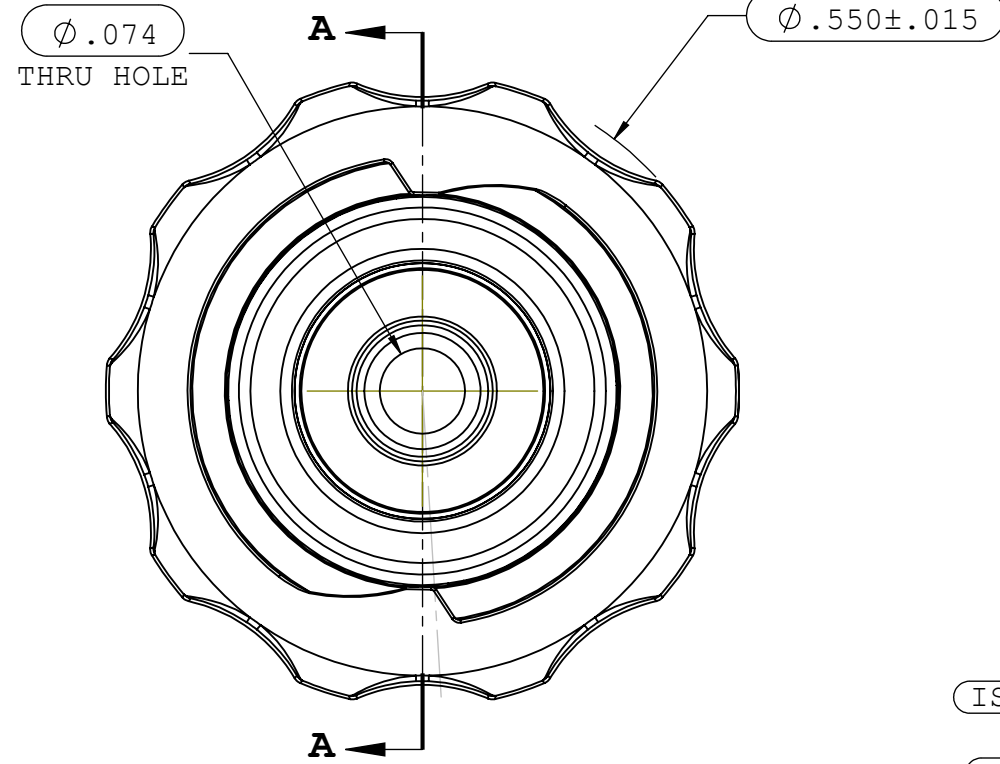
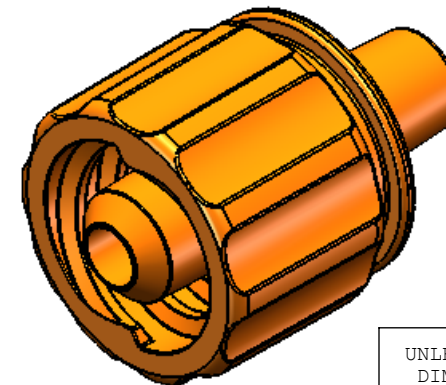


NOTES: FOR ADDITIONAL DETAILS, PLEASE CONTACT VP CUSTOMER SERVICE
 DIMENSIONS MARKED ϕ ARE CONTROL DIMENSIONS

REVISIONS			
REV.	DESCRIPTION	DATE	APPROVED
A	INITIAL RELEASE	12-11-15	H.L



SECTION A-A



UNLESS OTHERWISE SPECIFIED DIMENSIONS ARE IN INCHES TOLERANCES ARE:		VALUE PLASTICS, INC			
FRACTIONS	DECIMAL				
\pm	.XX $\pm .01$	$\pm 1^\circ$	DESCRIPTION:	ISO 80369-3 Enteral Feeding Male Connector, Socket for 8 Fr. Tubing	
	.XXX $\pm .005$		SIZE:	B	
	.XXXX $\pm .001$		SCALE:	NTS	
DO NOT SCALE DRAWING		VER:	DWG. NO.	1035090	
DRAWN BY:	DATE:	MANAGER:	REV:	A	
Frank.Lombardi	12/21/2015	Lou Huadong	© 2011 VALUE PLASTICS, INC		
			SHEET:	1 OF 1	

FOR REFERENCE ONLY